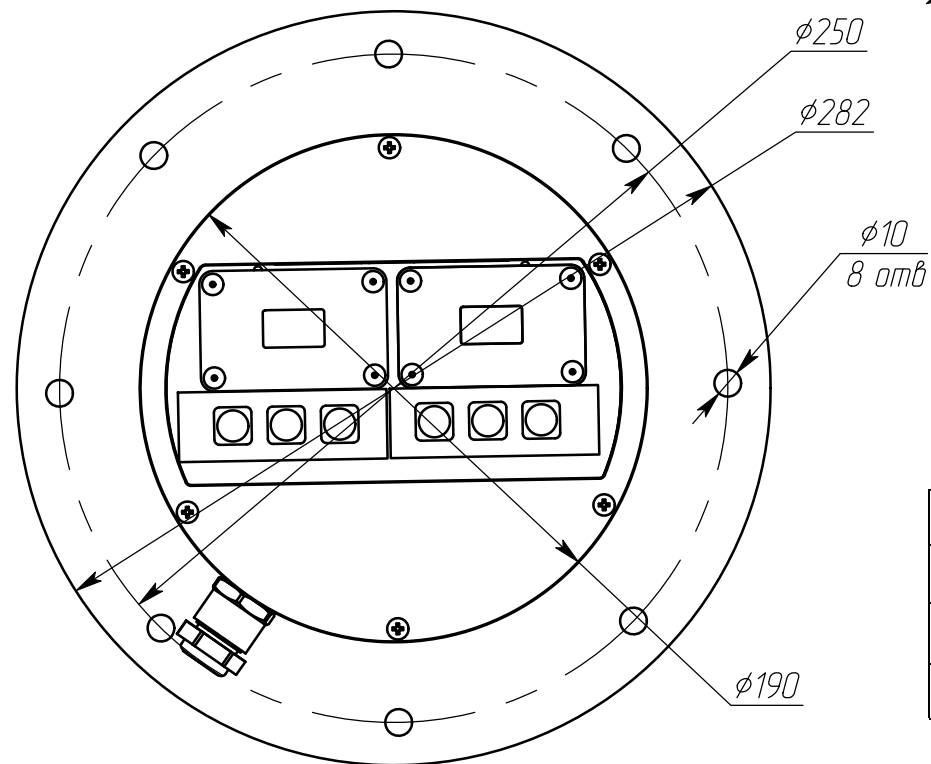
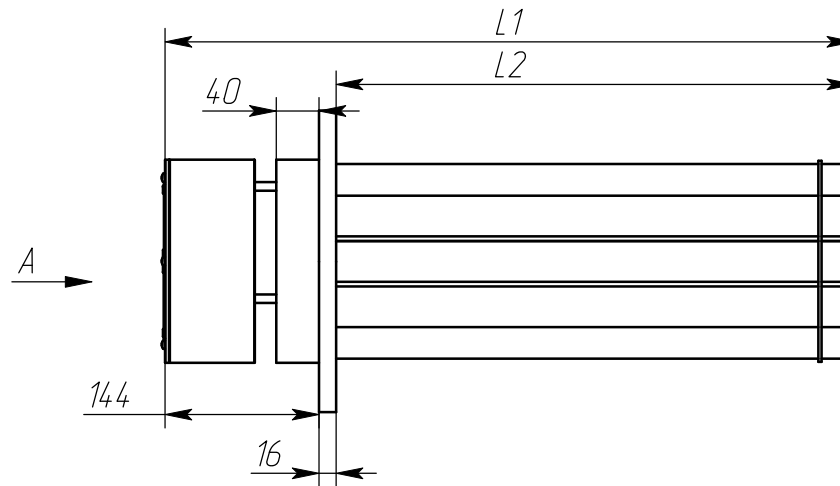


A - A (2:1)



	$L1$	$L2$
BHY-170B1.X.12T	560	400
BHY-330B1.X.12T	660	500
BHY-500B1.X.12T	760	600